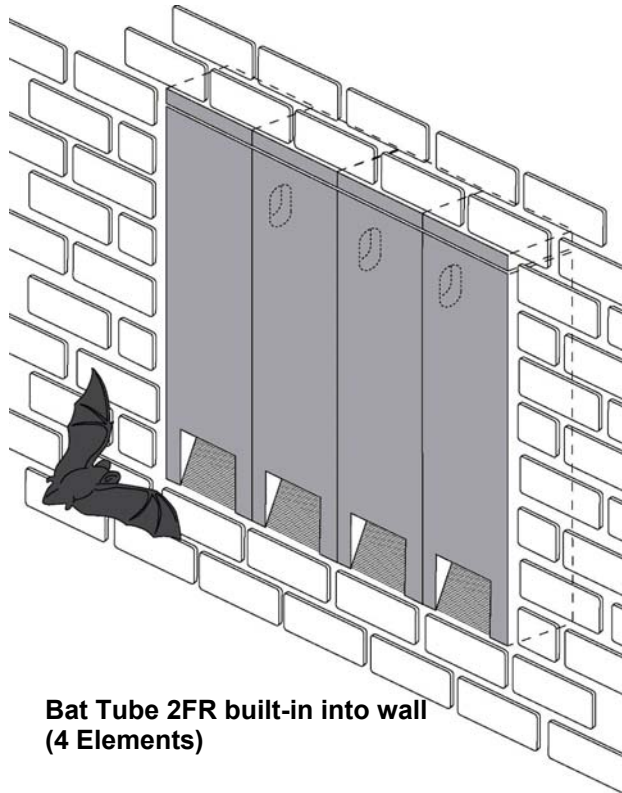


SCHWEGLER Bat Tube 2FR

- for creation of spaces for large bat colonies
- with integrated access to existing cavities in walls



This maintenance-free concept enables these units to be built into the masonry of a wall.

A number can be placed next to one another in modular form to create much larger spaces incorporating transverse connecting pieces ("A").

Each tube includes 3 different types of internal partition.

One of the special features is an optional passage through the rear panel ("B"): This enables existing cavities occupied by bats in the walls or structure of a building to be retained, providing an unobtrusive solution when conversion, renovation or insulation work is being carried out on older buildings.

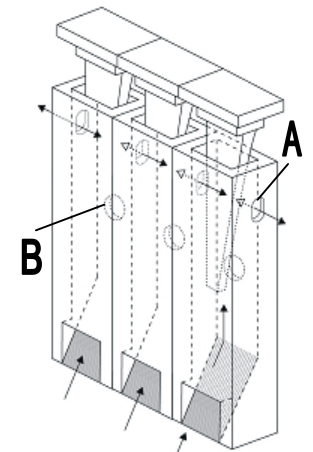
Material: Wood-concrete with integrated internal partitions

External Dimensions: H 47 x W 20 x D 12,5 cm

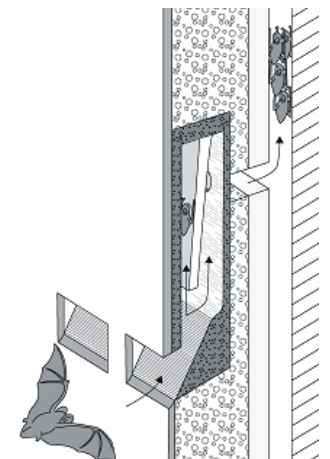
Occupants: Bat species that inhabit buildings

Positioning: Several tubes can be installed in listed buildings, industrial buildings, bridges and buildings of slab-type construction.

We recommend connecting at least 3 together.



Transverse connecting pieces (A) and passage on rear panel (B)



Example for integration with opened passage into existing bat quarters



4 010423 007551

order-no.: 00 755 / 1

package includes 1 element